

## BVC-2 SERIES 2 WAY HIGH PRESSURE BALL VALVES

### INTRODUCTION

Holmbury BVC2 ball valves are designed to suit a wide range of applications including mobile plant and industrial equipment.

These valves should not be used as flow control valves and should therefore always be fully open or fully closed.

### FEATURES

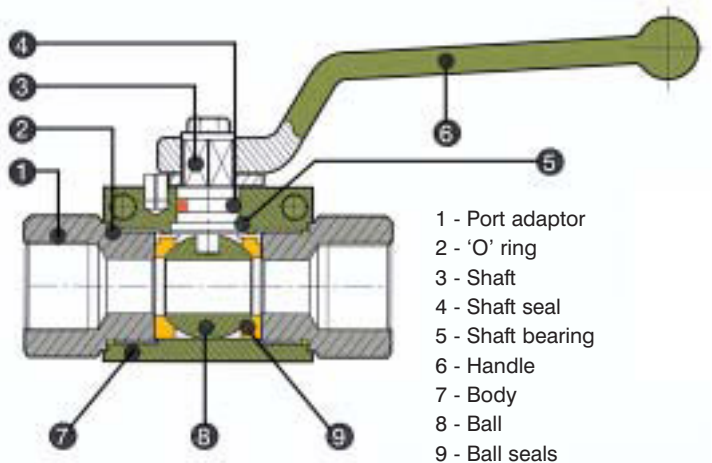
- ★ Full bore valves provide an unrestricted flow path for negligible pressure drop.
- ★ Floating ball on pre-compressed seals minimises wear and provides an excellent seal at positive and negative pressures.
- ★ Operating temperatures from -20°C to +100°C.
- ★ Open to close in 1/4 turn (90°).
- ★ Cranked handles are incorporated to provide good clearance for the operators hands.

### MATERIALS

- Body and port adaptor are zinc plated steel (38SMn PB 10).
- Handle - steel forging, zinc plated.
- Ball - carbon steel.
- Ball seals - DELRIN (polyacetalic resin)
- Shaft seal - nitrile

### ORDER CODES

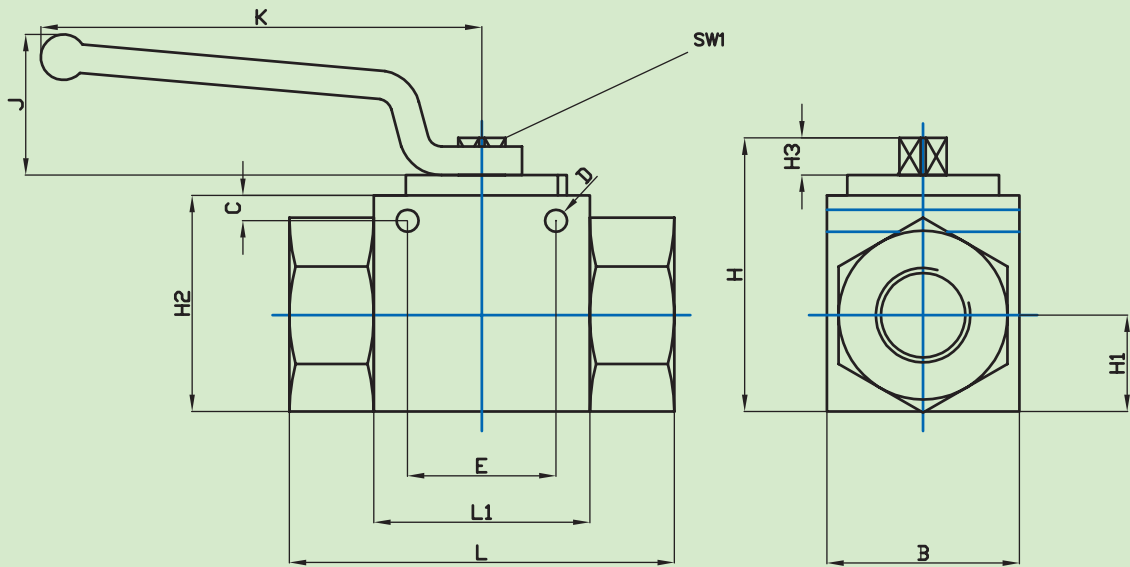
<b>BVC-2 - 06 - 04 G -1 -1</b>	
<b>Ball valve</b> 2 way	
<b>Body Size:</b>	
06	25
10	32
12	40
19	50
<b>Thread Size (dash system)</b>	
04 = 1/4"	16 = 1"
06 = 3/8"	20 = 1 1/4"
08 = 1/2"	24 = 1 1/2"
12 = 3/4"	32 = 2"
<b>Thread Form:</b>	
G = BSP P, N = NPT, S = SAE	
<b>Ball Seals</b>	
1 = DELRIN, 2 = PTFE	
<b>Shaft seals</b>	
1 = Nitrile, 2 = Viton	
Any other necessary information	



#### Example: BVC-2-06-04G-1-1

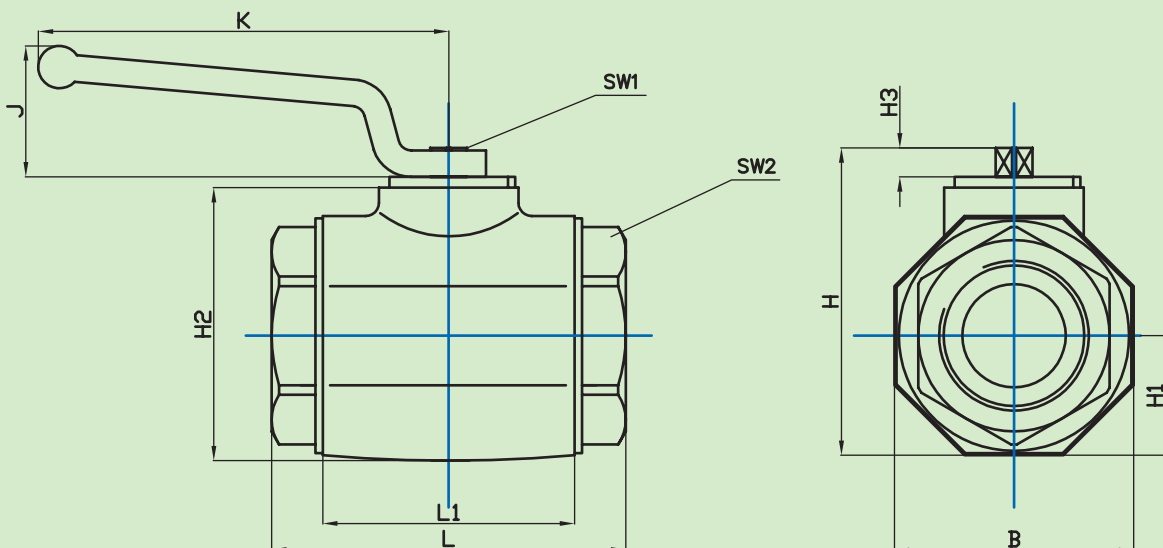
Ball valve, 2 way, body size 06, 1/4" BSP port thread, DELRIN ball seals and Nitrile shaft seals.

## 2 WAY BALL VALVES - SIZES 6 to 32



Code	ND	Max W.P Bar	L	L1	B	H	H1	H2	H3	E	D	C	SW1	K	J
BVC-2-06-04G-1-1	6	500	69	37	28	44.5	13	32	8	26	5	4.5	9	135	40
BVC-2-10-06G-1-1	10	500	72	42	35	52.5	17	40	8	32	5	6.5	9	135	40
BVC-2-12-08G-1-1	13	500	83	48	35	52.5	17	40	8	37.5	4.8	6.5	9	135	40
BVC-2-19-12G-1-1	20	315	95	60	48	75	24	57	12	45	6.5	6.5	14	181	61
BVC-2-25-16G-1-1	25	315	113	65	57	82	28.5	64	12	55	6	6.7	14	181	61
BVC-2-32-20G-1-1	32	315	110	84	75	104.5	37.5	84	14	55	6	6.7	17	221	75

## 2 WAY BALL VALVES - SIZES 40 and 50



Code	ND	Max W.P Bar	L	L1	B	H	H1	H2	H3	SW1	K	J
BVC-2-40-24G-1-1	40	315	130	91	85	115.5	42.5	95	14	17	221	75
BVC-2-50-32G-1-1	50	315	140	100	105	133	52.5	112.5	14	17	221	75

Dimensions in mm

All dimensions shown are for guidance only, if critical contact Holmbury Technical Department