

## BVC-3 SERIES 3 WAY HIGH PRESSURE BALL VALVES

### INTRODUCTION

Holmbury BVC-3 ball valves are designed to suit a wide range of applications including mobile plant and industrial equipment.

These valves should not be used as flow control valves and should therefore always be fully open or fully closed.

### FEATURES

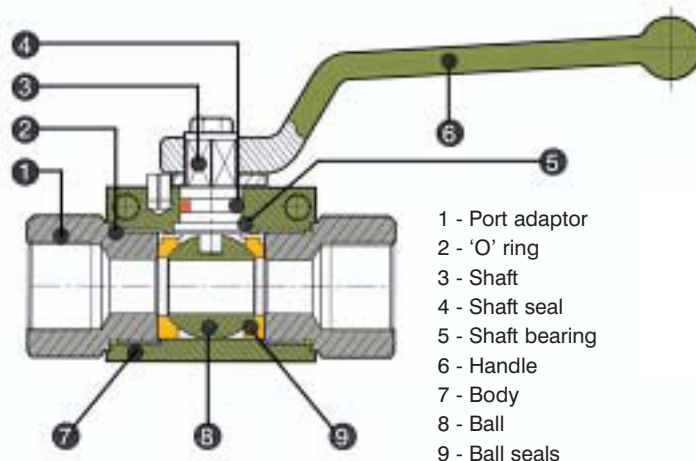
- ★ Full bore valves provide an unrestricted flow path for negligible pressure drop.
- ★ Floating ball on pre-compressed seals minimises wear and provides an excellent seal at positive and negative pressures.
- ★ Operating temperatures from -20°C to +100°C.
- ★ Open to close in 1/4 turn (90°).
- ★ Cranked handles are incorporated to provide good clearance for the operators hands.

### MATERIALS

- Body and port adaptor are zinc plated steel (38SMn PB 10).
- Handle - steel forging, zinc plated.
- Ball - carbon steel.
- Ball seals - DELRIN (polyacetalic resin)
- Shaft seal - nitrile

### ORDER CODES

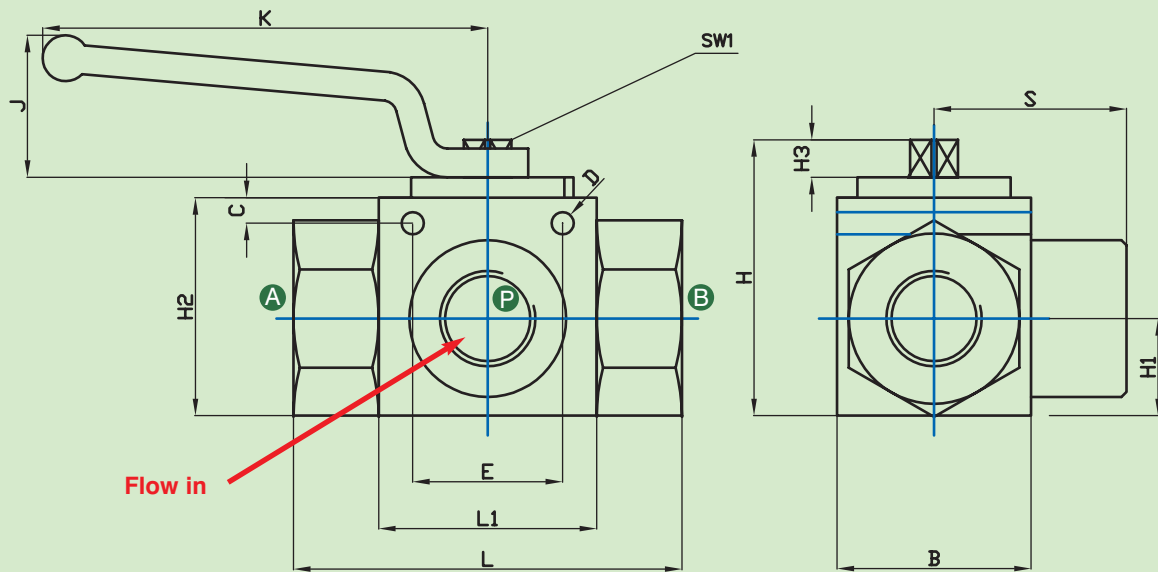
<b>BVC-3 - 06 - 04 G -L -1 -1</b>	
<b>Ball valve</b>	
<b>3 way</b>	
<b>Body Size:</b>	
06	25
10	32
12	40
19	50
<b>Thread Size (dash system)</b>	
04 = 1/4"	16 = 1"
06 = 3/8"	20 = 1 1/4"
08 = 1/2"	24 = 1 1/2"
12 = 3/4"	32 = 2"
<b>Thread Form:</b>	
G = BSP P, N = NPT, S = SAE	
<b>Port options:</b>	
L = L Ports, T = T Ports	
<b>Ball Seals</b>	
1 = DELRIN, 2 = PTFE	
<b>Shaft seals</b>	
1 = Nitrile, 2 = Viton	
Any other necessary information	



#### Example: BVC-3-06-04G-L-1-1

Ball valve, 3 way, body size 06, 1/4" BSP port thread, 'L' port flow path, DELRIN ball seals and Nitrile shaft seals.

### 3 WAY BALL VALVES



Code	ND	Max W.P Bar	L	L1	B	H	H1	H2	H3	E	D	C	SW1	S	K	J
BVS-3-06-04G-L-1-1	6	315	69	37	28	44.5	13	32	8	26	5	4.5	9	35	135	40
BVS-3-10-06G-L-1-1	10	315	72	42	35	52.5	17	40	8	32	5	6.5	9	36	135	40
BVS-3-12-08G-L-1-1	13	315	83	48	35	52.5	17	40	8	37.5	4.8	6.5	9	42	135	40
BVS-3-19-12G-L-1-1	20	315	95	60	48	75	24	57	12	45	6.5	6.5	14	49	181	61
BVS-3-25-16G-L-1-1	25	315	113	65	57	82	28.5	64	12	55	6	6.7	14	56.5	181	61
BVS-3-32-20G-L-1-1	32	315	110	84	75	104.5	37.5	84	14	55	6	6.7	17	55	221	75
BVS-3-40-24G-L-1-1*	40	315	130	91	85	115.5	42.5	95	14	Not applicable			17	65	221	75
BVS-3-50-32G-L-1-1*	50	315	140	100	105	133	52.5	112.5	14	Not applicable			17	70	221	75

Dimensions in mm

**All dimensions shown are for guidance only, if critical contact Holmbury Technical Department**

\* Mounting holes not provided with valve sizes 40 and 50

### PORT OPTIONS



**NOTE:** 'L' ported valves are standard. 'T' ported valves available on request