

## BVS-2 SERIES

### 2 WAY, HIGH PRESSURE, STAINLESS STEEL, BALL VALVES

#### INTRODUCTION

Holmbury BVS-2 Series, 2 way, stainless steel ball valves are designed for use in corrosive environments and/or operation with corrosive fluids.

These valves should not be used as flow control valves and should therefore always be fully open or fully closed.

#### APPLICATIONS

Ideal for use in the chemical, pharmaceutical, off-shore, food, petrochemical and process industries.

A variety of special seals can be provided to comply with the stringent specifications required by these applications.

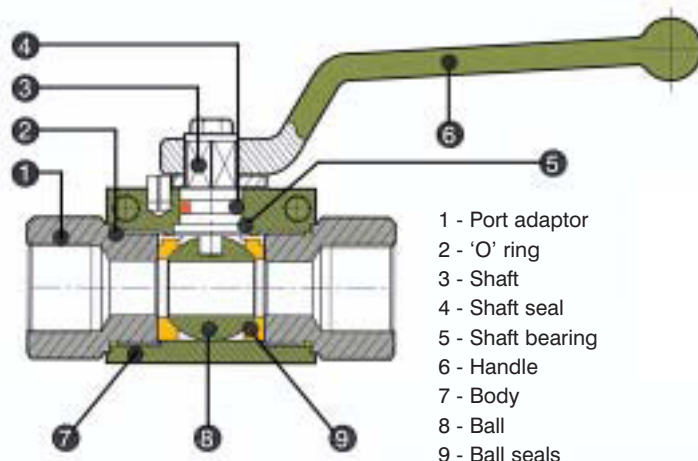
For further details contact Holmbury Sales Dept.

#### FEATURES

- ★ AISI 316 stainless steel construction, viton seals.
- ★ Full bore valves provide an unrestricted flow path for negligible pressure drop.
- ★ Floating ball on pre-compressed seals minimises wear and provides an excellent seal at positive and negative pressures.
- ★ Open to close in 1/4 turn (90°).
- ★ Cranked handles provide good clearance for the operators hands.

#### ORDER CODES

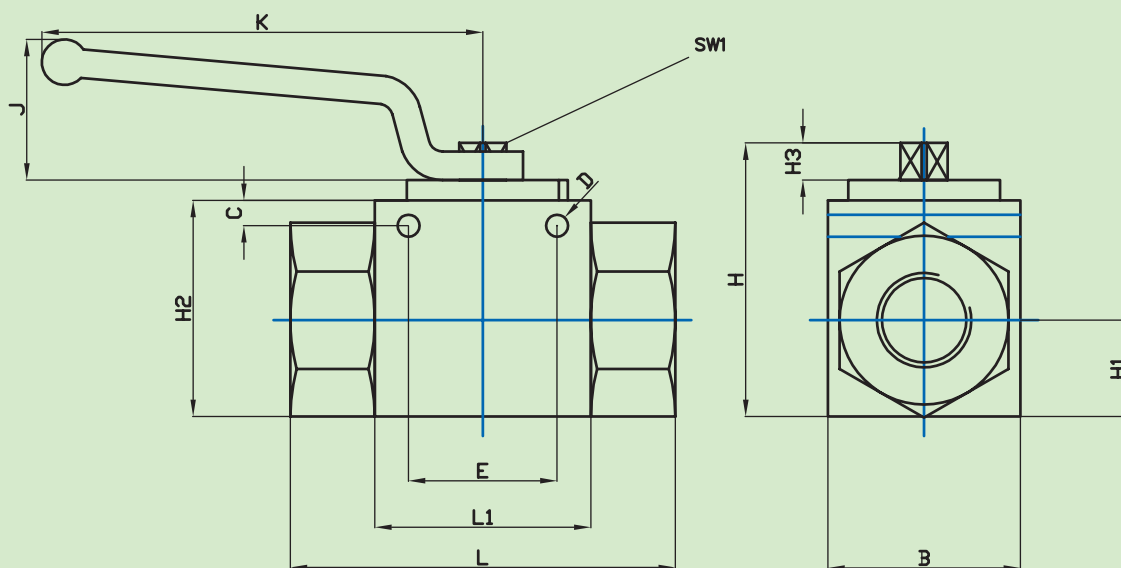
	<b>BVS-2</b>	<b>- 06</b>	<b>- 04</b>	<b>G</b>
<b>Ball valve</b> <b>2 way</b>				
<b>Body Size:</b>				
06				
10				
12				
19				
25				
32				
<b>Thread Size (dash system)</b>				
04 = 1/4"				
06 = 3/8"				
08 = 1/2"				
12 = 3/4"				
16 = 1"				
20 = 1 1/4"				
<b>Thread Form:</b>				
G = BSP P				
N = NPT				
Any other necessary information				



#### Example: BVS-2-06-04G

Stainless steel ball valve, 2 way, body size 06, 1/4" BSP port thread and Viton shaft seals.

## BVS-2 SERIES, 2 WAY BALL VALVES



Code	ND	Max W.P Bar	L	L1	B	H	H1	H2	H3	E	D	C	SW1	K	J
BVS-2-06-04G	6	500	69	37	28	44.5	13	32	8	26	5	4.5	9	135	40
BVS-2-10-06G	10	500	72	42	35	52.5	17	40	8	32	5	6.5	9	135	40
BVS-2-12-08G	13	500	83	48	35	52.5	17	40	8	37.5	4.8	6.5	9	135	40
BVS-2-19-12G	20	315	95	60	48	75	24	57	12	45	6.5	6.5	14	181	61
BVS-2-25-16G	25	315	113	65	57	82	28.5	64	12	55	6	6.7	14	181	61
BVS-2-32-20G	32	315	110	84	75	104.5	37.5	84	14	55	6	6.7	17	221	75

Dimensions in mm

**All dimensions shown are for guidance only, if critical contact Holmbury Technical Department**

### LARGER VALVES

Valve sizes 40 and 50 with 1½" and 2" threads respectively are available by special request.