

BVS-3 SERIES

3 WAY, HIGH PRESSURE, STAINLESS STEEL, BALL VALVES

INTRODUCTION

Holmbury BVS-3 Series, 3 way, stainless steel ball valves are designed for use in corrosive environments and/or operation with corrosive fluids.

These valves should not be used as flow control valves and should therefore always be fully open or fully closed.

APPLICATIONS

Ideal for use in the chemical, pharmaceutical, off-shore, food, petrochemical and process industries.

A variety of special seals can be provided to comply with the stringent specifications required by these applications.

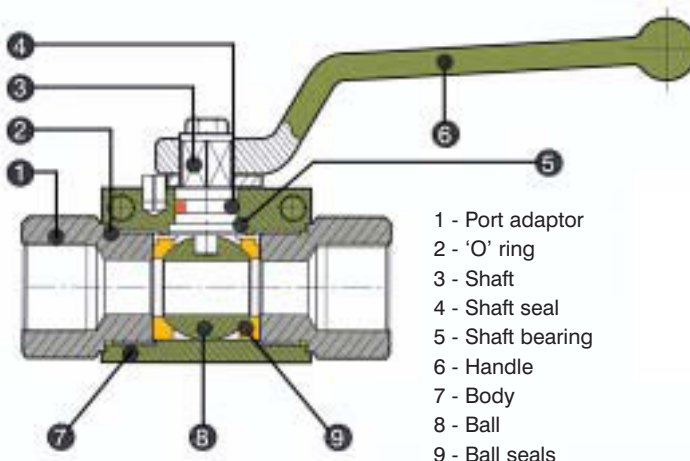
For further details contact Holmbury Sales Dept.

FEATURES

- ★ AISI 316 stainless steel construction, viton seals.
- ★ Full bore valves provide an unrestricted flow path for negligible pressure drop.
- ★ Floating ball on pre-compressed seals minimises wear and provides an excellent seal at positive and negative pressures.
- ★ Open to close in 1/4 turn (90°).
- ★ Cranked handles provide good clearance for the operators hands.

ORDER CODES

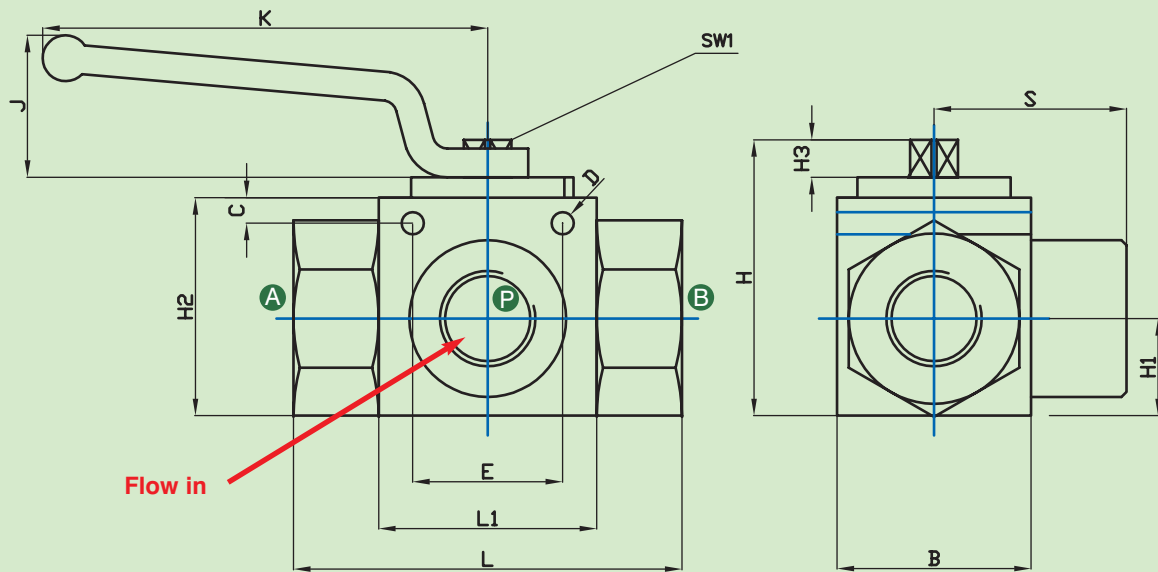
	BVS-3	- 06	- 04	G	-L
Ball valve					
3 way					
Body Size:					
06	19	40			
10	25	50			
12	32				
Thread Size (dash system)					
04 = 1/4"	16 = 1"				
06 = 3/8"	20 = 1 1/4"				
08 = 1/2"	24 = 1 1/2"				
12 = 3/4"	32 = 2"				
Thread Form:					
G = BSP P					
N = NPT					
Port options:					
L = L Ports					
T = T Ports					
Any other necessary information					



Example: BVS-3-06-04G-L

Ball valve, 3 way, body size 06, 1/4" BSP port thread, 'L' port flow path and Viton shaft seals.

BVS-3 SERIES, 3 WAY BALL VALVES



Code	ND	Max W.P Bar	L	L1	B	H	H1	H2	H3	E	D	C	SW1	S	K	J
BVS-3-06-04G-L	6	315	69	37	28	44.5	13	32	8	26	5	4.5	9	35	135	40
BVS-3-10-06G-L	10	315	72	42	35	52.5	17	40	8	32	5	6.5	9	36	135	40
BVS-3-12-08G-L	13	315	83	48	35	52.5	17	40	8	37.5	4.8	6.5	9	42	135	40
BVS-3-19-12G-L	20	315	95	60	48	75	24	57	12	45	6.5	6.5	14	49	181	61
BVS-3-25-16G-L	25	315	113	65	57	82	28.5	64	12	55	6	6.7	14	56.5	181	61
BVS-3-32-20G-L	32	315	110	84	75	104.5	37.5	84	14	55	6	6.7	17	55	221	75
BVS-3-40-24G-L*	40	315	130	91	85	115.5	42.5	95	14	Not applicable			17	65	221	75
BVS-3-50-32G-L*	50	315	140	100	105	133	52.5	112.5	14	Not applicable			17	70	221	75

Dimensions in mm

All dimensions shown are for guidance only, if critical contact Holmbury Technical Department

* Mounting holes not provided with valve sizes 40 and 50

PORT OPTIONS



NOTE: 'L' ported valves are standard. 'T' ported valves available on request