

MULTI COUPLING CONNECTORS

VOSWINKEL TYPE MK24 QUICKVOS™ MULTI COUPLING CONNECTOR

INTRODUCTION

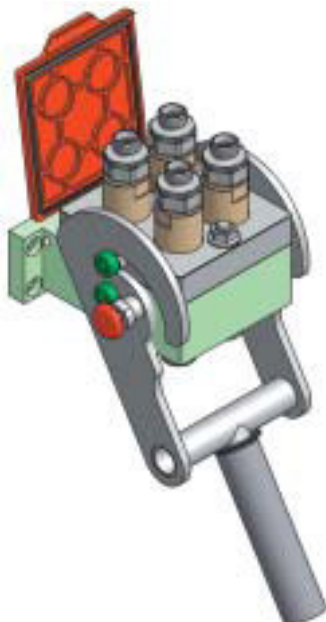
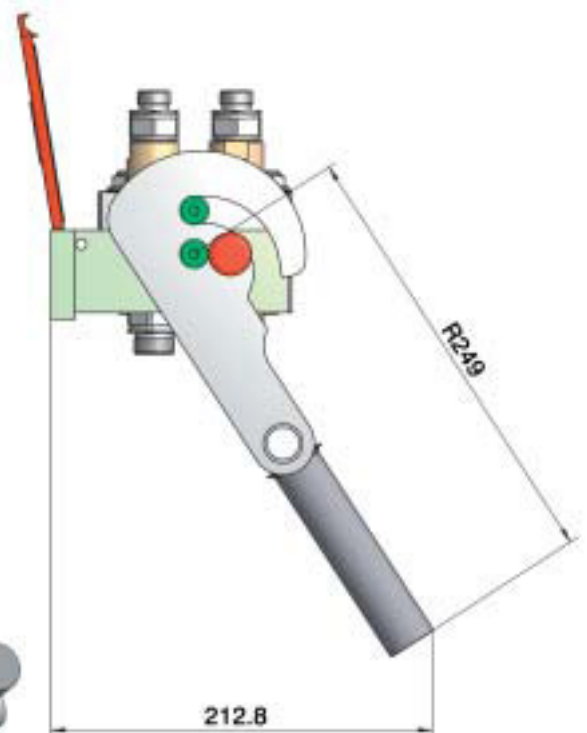
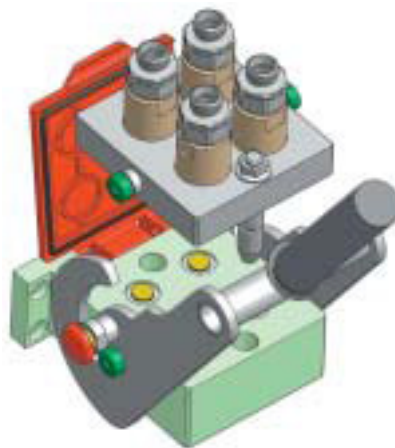
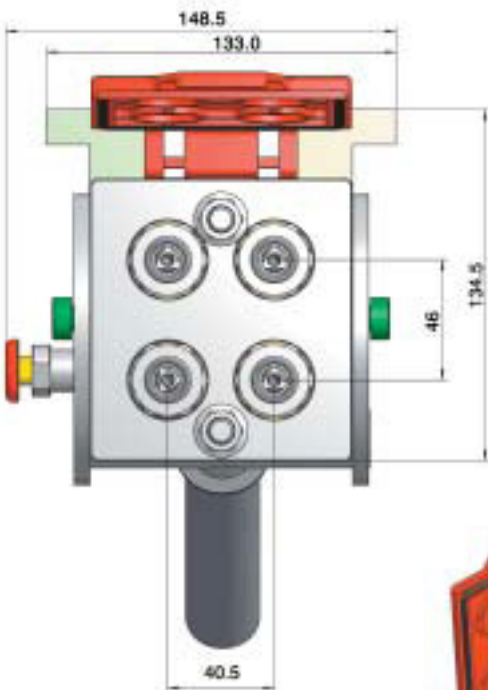
Voswinkel Types MK 24 and 74 multi coupling connectors are designed to connect up to four, size 10, flat face couplings simultaneously. Connection is made manually, as shown here, or by electrical actuation.

APPLICATIONS

Agricultural, municipal and commercial vehicles and construction plant. All types of industrial equipment where multiple hose connections need to be made simultaneously.

ADVANTAGES

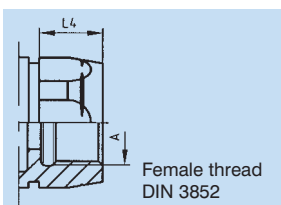
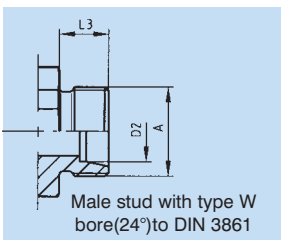
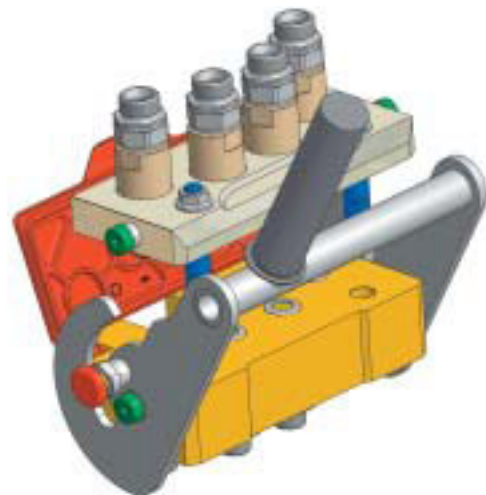
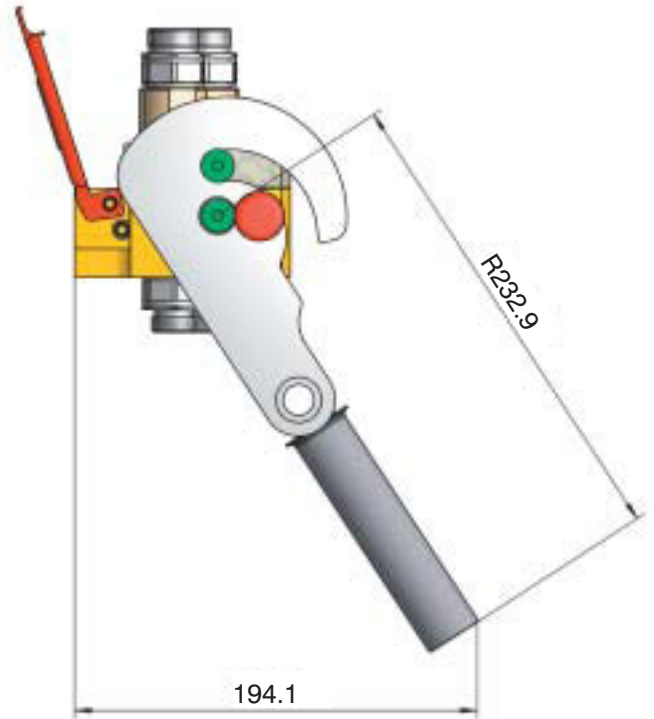
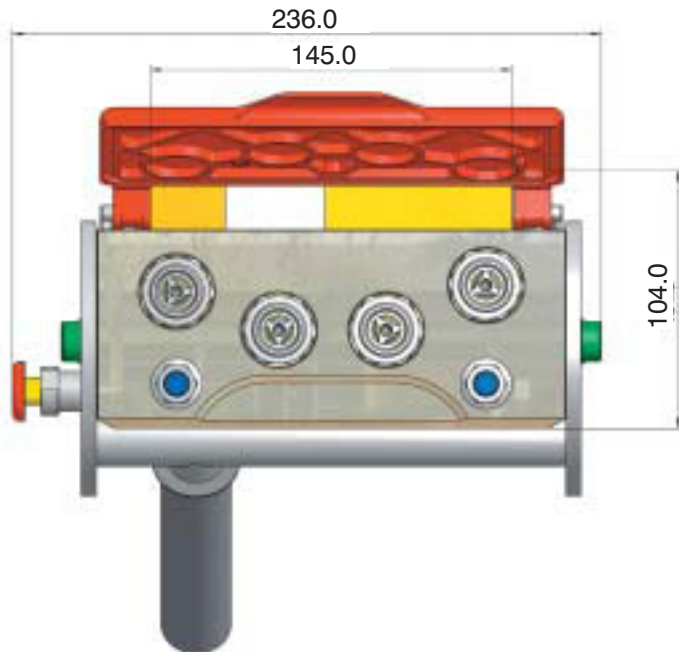
- ★ Rapid connection and disconnection of hose lines.
- ★ Clean connections easily attained by using dust covers and wiping the easily accessible flat face couplings prior to connection.
- ★ Couplings do not require locking balls, so Brinelling in high pressure pulse applications is eliminated.
- ★ Prevents incorrect connection of hoses.



Connector Type	Thread	Tube	Fixed half	Mobile half	Multi coupling complete
	Port A	Ø D2	Part number	Part number	Part number
Male stud type W bore (24°) DIN 3861	M16 x 1.5	10L	MK24-1-L1016	MK24-2-L1016	MK24-8-L1016
	M18 x 1.5	12L	MK24-1-L1218	MK24-2-L1218	MK24-8-L1218
	M22 x 1.5	15L	MK24-1-L1522	MK24-2-L1522	MK24-8-L1522
	M26 x 1.5	18L	MK24-1-L1826	MK24-2-L1826	MK24-8-L1826
Female thread DIN3852	G 3/8"		MK24-1-IGF06	MK24-2-IGF06	MK24-8-IGF06
	G 1/2"		MK24-1-IGF08	MK24-2-IGF08	MK24-8-IGF08

VOSWINKEL TYPE MK74

QUICKVOS™ MULTI COUPLING CONNECTOR



Connector Type	Thread	Tube	Fixed half	Mobile half	Multi coupling complete
	Port A	Ø D2	Part number	Part number	Part number
Male stud type W bore (24°) DIN 3861	M16 x 1.5	10L	MK74-1-L1016	MK74-2-L1016	MK74-8-L1016
	M18 x 1.5	12L	MK74-1-L1218	MK74-2-L1218	MK74-8-L1218
	M22 x 1.5	15L	MK74-1-L1522	MK74-2-L1522	MK74-8-L1522
	M26 x 1.5	18L	MK74-1-L1826	MK74-2-L1826	MK74-8-L1826
Female thread DIN3852	G 3/8"		MK74-1-IGF06	MK74-2-IGF06	MK74-8-IGF06
	G 1/2"		MK74-1-IGF08	MK74-2-IGF08	MK74-8-IGF08