

ISO COUPLINGS

P SERIES

PUSH PULL COUPLINGS TO ISO.A SPECIFICATION

INTRODUCTION

Holmbury Push Pull Couplings, to ISO.A, are intended for any application where the hydraulic hose could be subjected accidentally to excessive force. The design is such that when pulled, the couplings will separate automatically - in order to minimise the risk of hose line rupture or coupling damage.

APPLICATIONS

The female has to be panel mounted using the sleeve; circlip grooves are provided. This allows the coupling to separate when the hose is exposed to excessive force. Typical applications include mobile plant, trailers and agricultural equipment.

MATERIALS

Zinc plated carbon steel body material with nitrile seals and PTFE backing ring.

TECHNICAL DETAILS

Maximum working pressure 250 bar. Working temperature range with nitrile seals is -20°C to +100°C



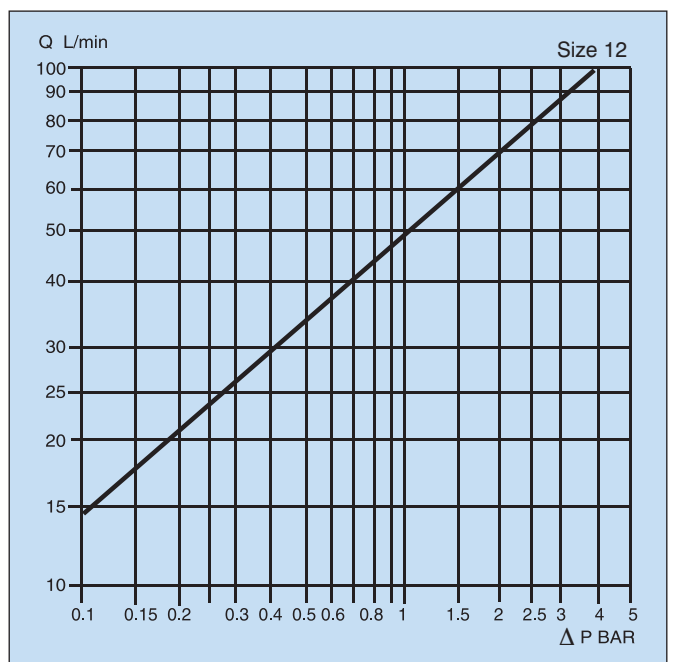
DUST CAPS - SEE PAGES 76 & 77



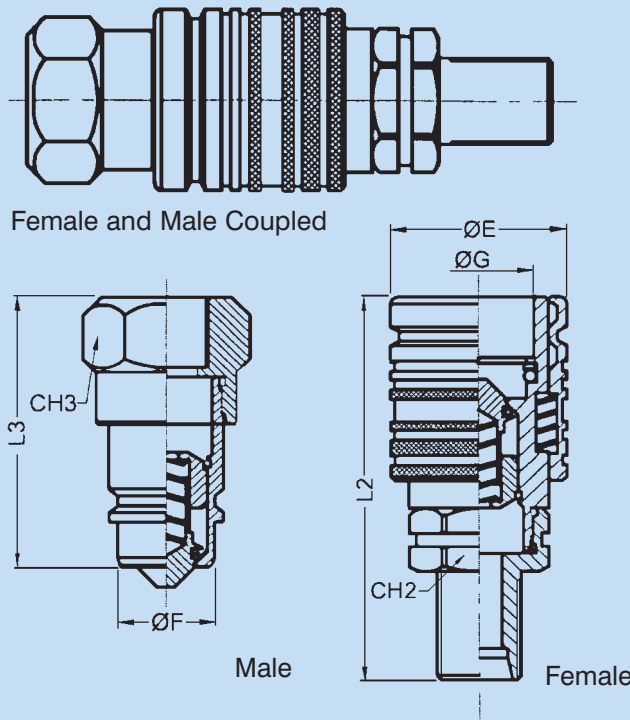
ORDER CODES

P	12	-	M	-	08	G	M		
P = ISO A, Push Pull							Any other information		
Coupling Size 12							Blank = Nitrile Seals		
M = Male coupling							F = Female thread		
F = Female coupling							M = Male thread		
Thread size (dash system)							If blank then female thread is supplied.		
- 06 = 3/8" - 12 = 3/4"							Thread Form		
- 08 = 1/2" - 14 = 7/8"							G = BSP P S = SAE		
- 10 = 5/8"							M = Metric U = UNF		
Thread size (metric)									
18 = 18 mm 22 = 22 mm									

PRESSURE DROP CHARACTERISTICS



P SERIES, PUSH PULL COUPLINGS TO ISO.A SPECIFICATION



Male coupling with female thread (as drawing)

Order code	Thread Size	CH3	L3	ØF
P12-M-08G F	1/2" BSP	27	46	20.5
P12-M-18M F	18 x 1.5	30	57	20.5
P12-M-22MF	22 x 1.5	30	57	20.5
P12-M-14UF	7/8"-14 UNF	30	58	20.5
P12-M-12UF	3/4"-16 UNF	30	58	20.5

Other threads available on request

Male coupling with male thread

Order code	Thread Size	CH3	L3	ØF
P12-M-18MM	18 x 1.5	27	68	20.5
P12-M-22MM	22 x 1.5	27	68	20.5
P12-M-22MMS	22 x 1.5 short	27	56	20.5

Other threads available on request

Female coupling with male thread (as drawing)

Order code	Thread Size	ØE	ØG	CH2	L2
P12-F-06GM	3/8" BSP	38	23.9	27	
P12-F-08GM	1/2" BSP	38	23.9	27	
P12-F-10GM	5/8" BSP	38	23.9	27	
P12-F-18MM	18 x 1.5	38	23.9	27	84
P12-F-22MM	22 x 1.5	38	23.9	27	84
P12-F-22MMS	22 x 1.5 short	38	23.9	27	72

Other threads available on request

Female coupling with female thread

Order code	Thread Size	ØE	ØG	CH2	L2
P12-F-08GF	1/2" BSP	38	23.9	27	63.5
P12-F-18MF	18 x 1.5	38	23.9	30	73
P12-F-12SF	3/4" SAE	-	-	-	-
P12-F-22MF	22 x 1.5	38	23.9	30	73
P12-F-14UF	7/8"-14 UNF	38	23.9	30	74
P12-F-12UF	3/4"-16 UNF	38	23.9	30	74
P12-F-12UFL	3/4"-16 UNF L	38	23.9	27	83.2

Other threads available on request