

SCREW TO CONNECT COUPLINGS

VOSWINKEL RS SERIES SCREW TO CONNECT ZERO LEAKAGE COUPLINGS

APPLICATIONS

Heavy duty service conditions in construction plant, machinery and vehicles. High pressure pulse applications and agricultural machinery.

ADVANTAGES

- ★ Connect without ingress of air and disconnection without loss of fluid.
- ★ Screw connection mechanism avoids use of locking balls and so eliminates the risk of Brinelling (the problem of locking ball indentation in the nose of the probe).
- ★ Can be connected by hand with up to 20 bar pressure in each hydraulic hose line and up to 50 bar with hand tools.

MATERIALS

Hardened carbon steel body, zinc plated, nitrile seals.

CONNECTION

The couplings are connected by screwing the Female (fixed half) and Male (swivel half) couplings together until the limit stop is reached.

CONNECTION / DISCONNECTION UNDER PRESSURE

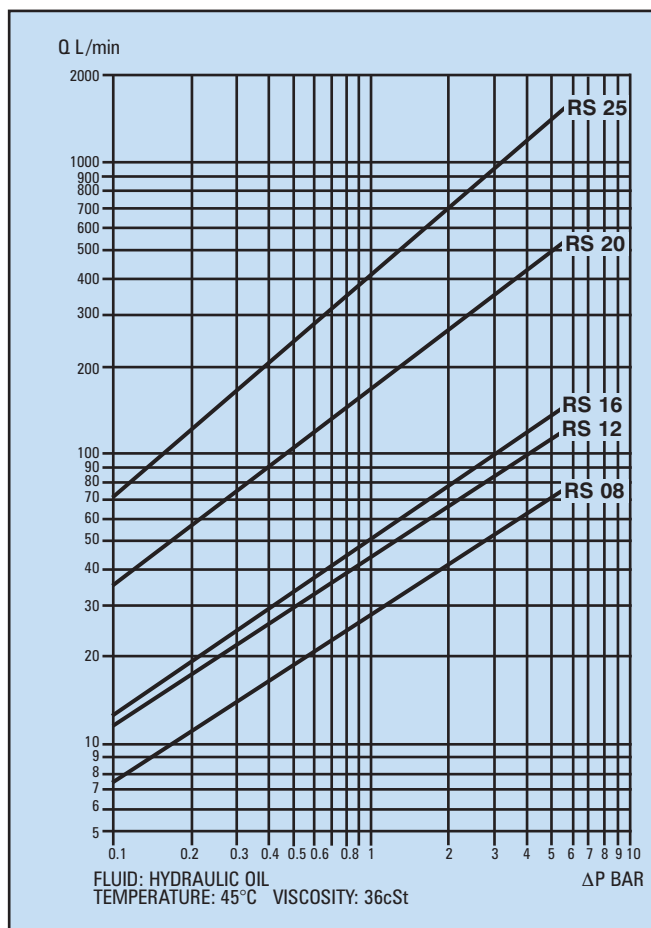
Connection and disconnection by hand, with up to 20 bar residual pressure in the line is possible. Above this pressure tools are required. Disconnection of any hydraulic coupling whilst under full system pressure can be very dangerous and should not be attempted.

OPERATING TEMPERATURES

See table on page 5.



PRESSURE DROP CHARACTERISTICS



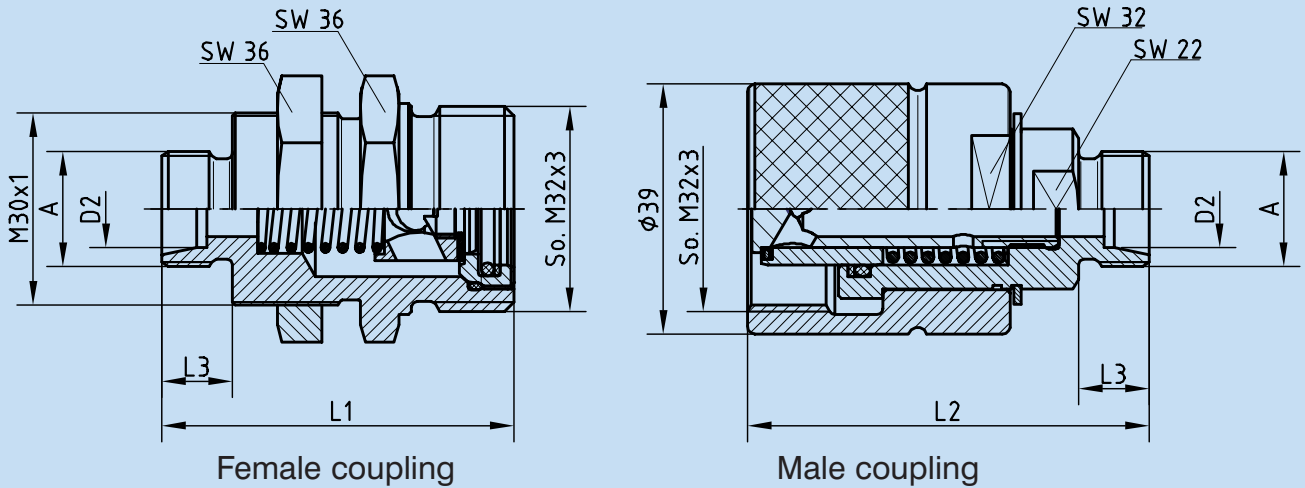
HOLMBURY



VOSWINKEL

RS SERIES TYPE RS 08

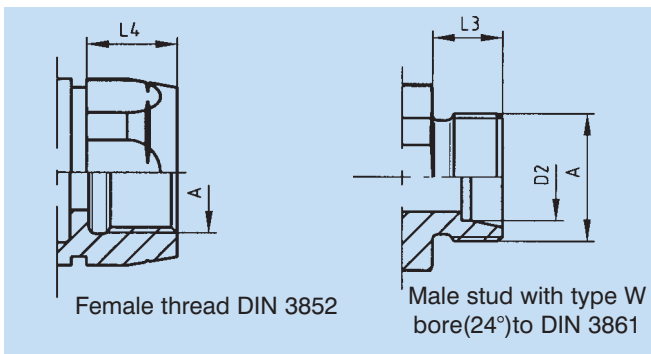
SCREW TO CONNECT COUPLINGS



Connector Type	Port A**	Tube Ø D2					Female		Male	
			L1	L2	L3	L4	Part No.	Weight	Part No.	Weight
Female thread DIN3852	M16 x 1.5		64	60			RS08-1-IMF16*	205	RS08-2-IMF16*	300
Male stud type W bore (24°) DIN 3861	M14 x 1.5	8L	54	60	10		RS08-1-L0814	210	RS08-2-L0814	305
	M16 x 1.5	10L	55	61	11		RS08-1-L1016	210	RS08-2-L1016	305
	M18 x 1.5	12L	55	61	11		RS08-1-L1218	210	RS08-2-L1218	305
	M22 x 1.5	15L	56	64	14		RS08-1-L1522	210	RS08-2-L1522	305
	M18 x 1.5	10S	56	62	12		RS08-1-S1018	215	RS08-2-S1018	315
	M20 x 1.5	12S	56	62	12		RS08-1-S1220	222	RS08-2-S1220	315
	M22 x 1.5	14S	58	64	14		RS08-1-S1422	230	RS08-2-S1422	320
M24 x 1.5	16S	58	64	14		RS08-1-S1624*	230	RS08-2-S1624*	320	

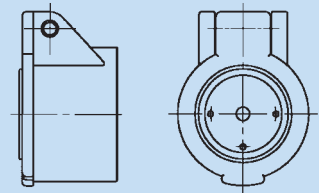
CONNECTOR TYPES

Dimensions in mm. Weight in grams. * Available on request.
** BSP thread available on request.



DUST CAPS

Dust caps are used to protect the Female coupling in dusty and dirty conditions. They are produced in black plastic.



Part No. RS08-7-SW001C1

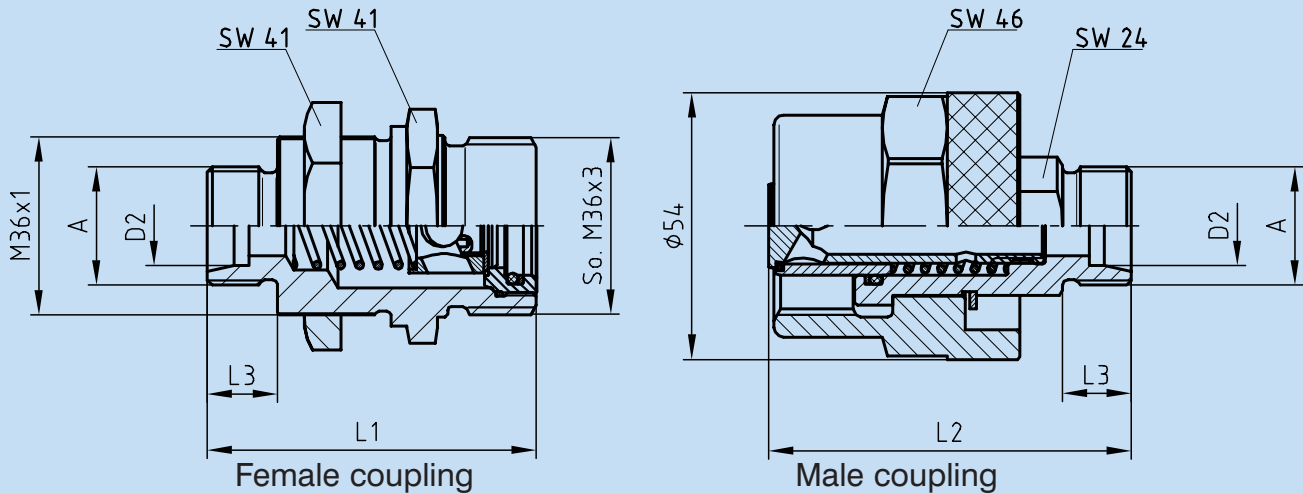
PRESSURE RATINGS

Max working pressure = 400 bar.
Burst pressures: Connected = 2250 bar. Female = 1150 bar. Male = 500 bar

SCREW TO CONNECT COUPLINGS

VOSWINKEL

RS SERIES TYPE RS 12 SCREW TO CONNECT COUPLINGS

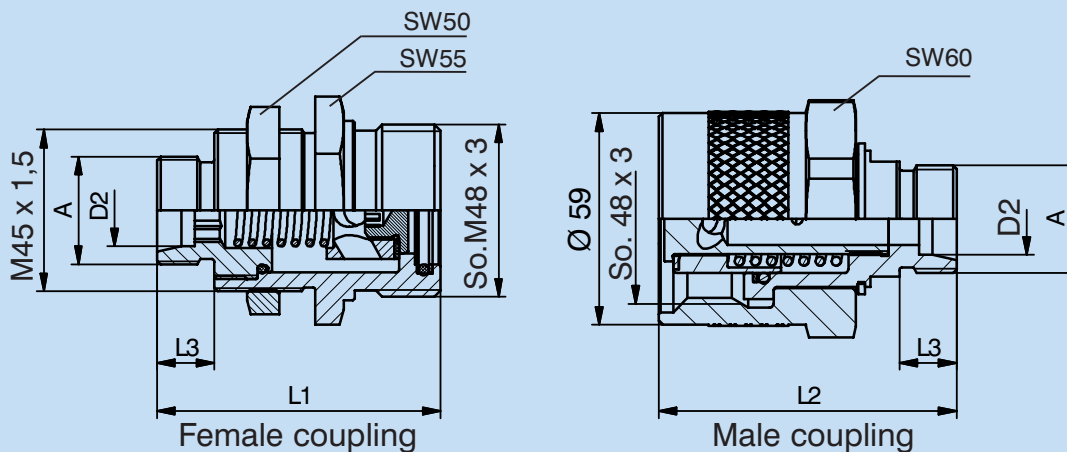


Connector Type	Port A**	Tube	Ø D2	L1	L2	L3	L4	Female		Male	
								Part No.	Weight	Part No.	Weight
Male stud type W bore (24°) DIN 3861	M22 x 1.5	15L	65	79	12			RS12-1-L1522	300	RS12-2-L1522	535
	M24 x 1.5	16S	67	81	14			RS12-1-S1624	312	RS12-2-S1624	540

** BSP thread available on request.

Dimensions in mm. Weight in grams

RS SERIES TYPE RS 16 SCREW TO CONNECT COUPLINGS



Connector Type	Port A**	Tube	Ø D2	L1	L2	L3	L4	Female		Male	
								Part No.	Weight	Part No.	Weight
Male stud type W bore (24°) DIN 3861	M22 x 1.5	15L	75	77	12			RS16-1-L1522*	640	RS16-2-L1522*	940
	M26 x 1.5	18L	75	77	12			RS16-1-L1826*	642	RS16-2-L1826*	943
	M24 x 1.5	16S	77	79	14			RS16-1-S1624*	643	RS16-2-S1624*	945
	M30 x 2.0	20S	79	81	16			RS16-1-S2030	646	RS16-2-S2030	949

** BSP thread available on request.

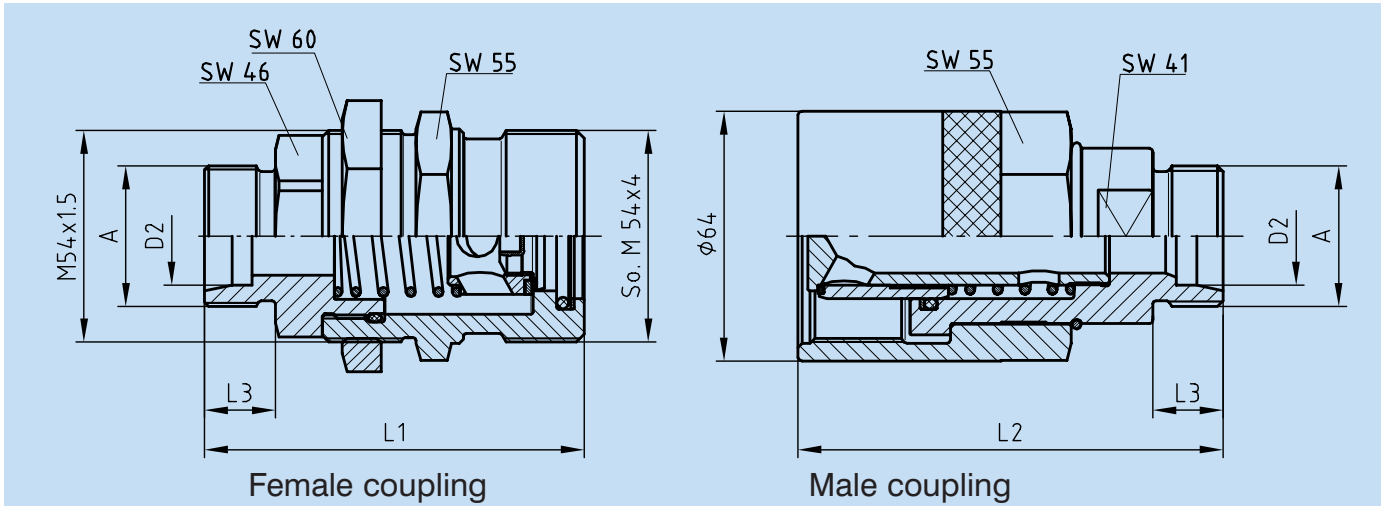
Dimensions in mm. Weight in grams

* Available on request

VOSWINKEL

RS SERIES TYPE RS 20

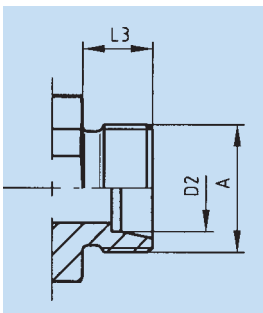
SCREW TO CONNECT COUPLINGS



Connector Type	Port A**	Tube				Female		Male		
		Ø D2	L1	L2	L3	L4	Part No.	Weight	Part No.	Weight
Male stud type W bore (24°) DIN 3861	M26 x 1.5	18L	87	101	12		RS20-1-L1826	915	RS20-2-L1826	1343
	M30 x 2.0	22L	89	103	14		RS20-1-L2230	923	RS20-2-L2230	1351
	M36 x 2.0	28L	89	103	14		RS20-1-L2836	933	RS20-2-L2836	1361
	M30 x 2.0	20S	91	105	16		RS20-1-S2030	953	RS20-2-S2030	1381
	M36 x 2.0	25S	93	107	18		RS20-1-S2536	968	RS20-2-S2536	1396
	M42 x 2.0	30S	95	109	20		RS20-1-S3042	988	RS20-2-S3042	1416

** BSP thread available on request. Dimensions in mm. Weight in grams

CONNECTOR



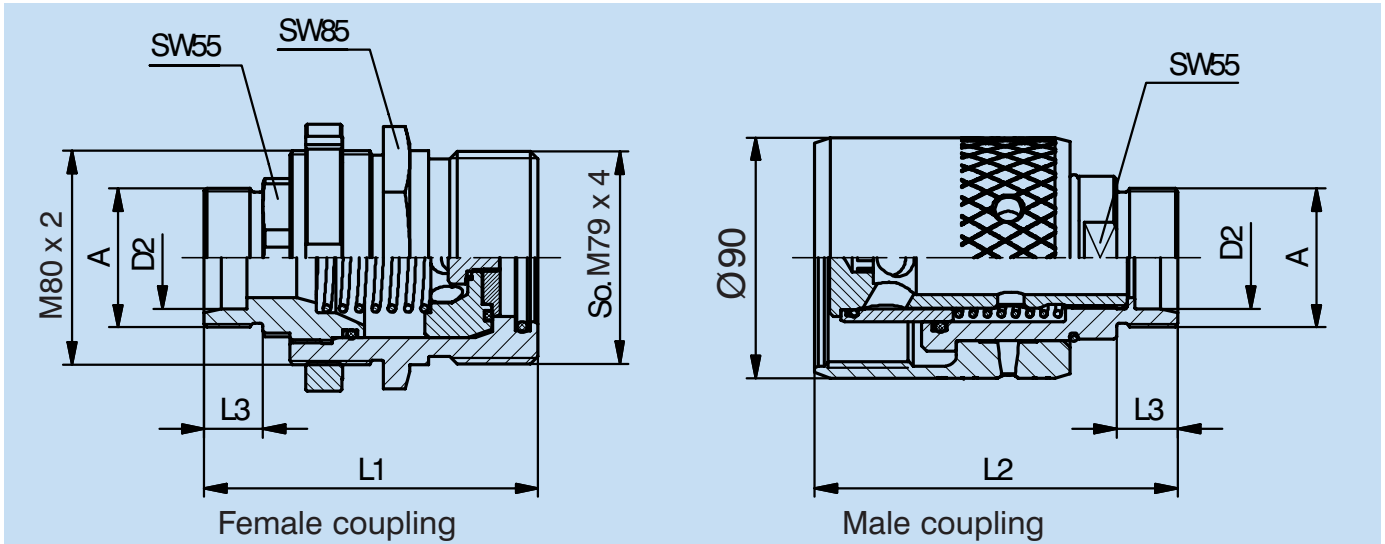
Male stud with type W bore (24°) to DIN 3861

PRESSURE RATINGS (bar)

Coupling Size	Maximum working pressure	Burst pressure connected	Burst pressure female	Burst pressure male
RS 12	300	2150	1000	700
RS 16	320	1150	1280	1280
RS20	300	1200	1250	700

SCREW TO CONNECT COUPLINGS

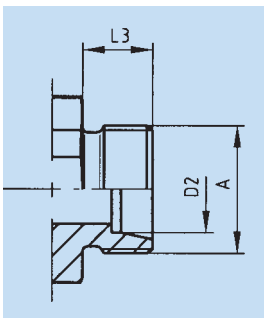
VOSWINKEL RS SERIES TYPE RS 25 SCREW TO CONNECT COUPLINGS



Connector Type	Port A**	Tube					Female		Male	
			Ø D2	L1	L2	L3	L4	Part No.	Weight	Part No.
Male stud type W bore (24°) DIN 3861	M45 x 2.0	35L	122	136	16		RS25-1-L3545	2730	RS25-2-L3545	3350
	M52 x 2.0	38S	125	136	22		RS25-1-S3852	2855	RS25-2-S3852	3345

** BSP thread available on request. Dimensions in mm. Weight in grams

CONNECTOR



Male stud with type W bore(24°)to DIN 3861

PRESSURE RATINGS

Max working pressure = 400 bar.

Burst pressures: Connected = 2250 bar. Female = 1150 bar. Male = 500 bar