

MULTI COUPLING CONNECTORS



MACH CONNECTORS SIZES 2, 4 & 7

INTRODUCTION

Holmbury is now marketing the well proven range of Mach connectors with a choice of ISO A poppet couplings or flat face couplings.

The Mach reference number, 2, 4 and 7, refers to the number of hydraulic hoses that are connected simultaneously. Mach 4 and 7 connectors can also incorporate a 6 contact electrical connector rated at 25V - 60V and up to 10A.

Female couplings are housed in the Box.
Male couplings are mounted in the Plug.

APPLICATIONS

Tractors, combined harvesters, front loaders, snow ploughs, mini excavators, cranes and general industrial machinery.

ADVANTAGES

- ★ Fast, easy connection of multiple hoses.
- ★ Connection is possible even when the circuit has residual pressure. Please refer to our Sales Department for further details.
- ★ Prevents operators making incorrect hose connections.
- ★ Compact design and sturdy construction.
- ★ Female couplings are protected from dust and damage within a strong box equipped with a self-closing cover.

OPERATION

This sequence shows the connection of a Mach 2 connector. The same principle applies to all sizes.

ENGAGE



LOCK



CONNECTED



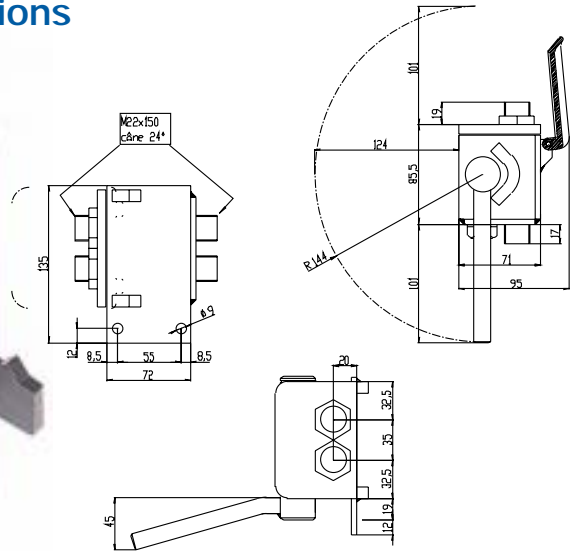
Mach 2 Dimensions



The **Box** contains the locking lever and two female couplings.



The **Plug** contains the two male couplings.



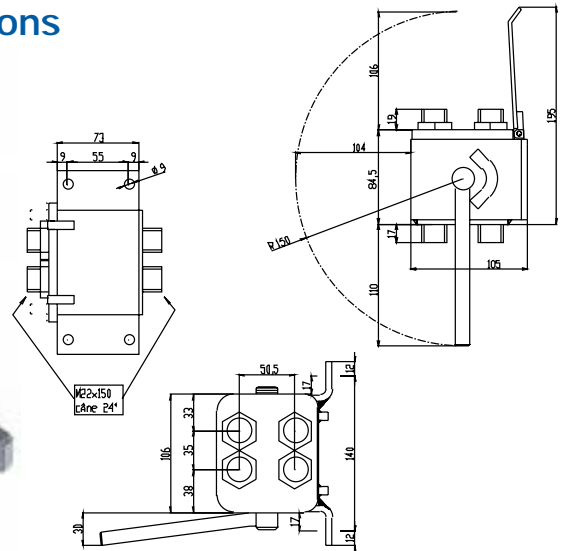
Mach 4 Dimensions



The **Box** contains the locking lever and four female couplings.



The **Plug** contains the four male couplings.



Mach 7 Dimensions



Box Upper part
hold the female couplings and the locking system.



Plug Lower part
hold the male couplings protected by an automatically closing tap.



Fixing the Plug :
use 4 screws M8 x 1,25 mm

